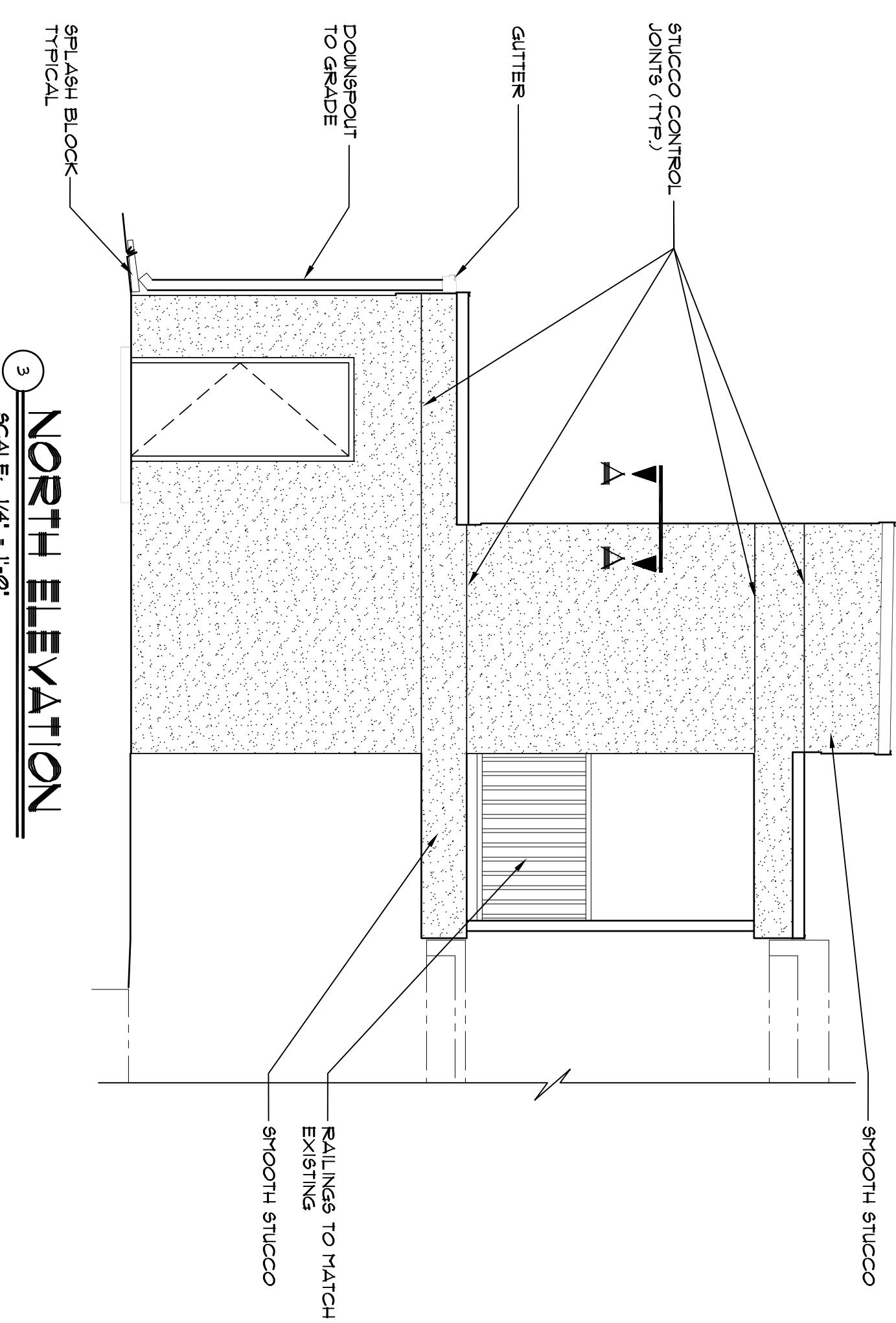
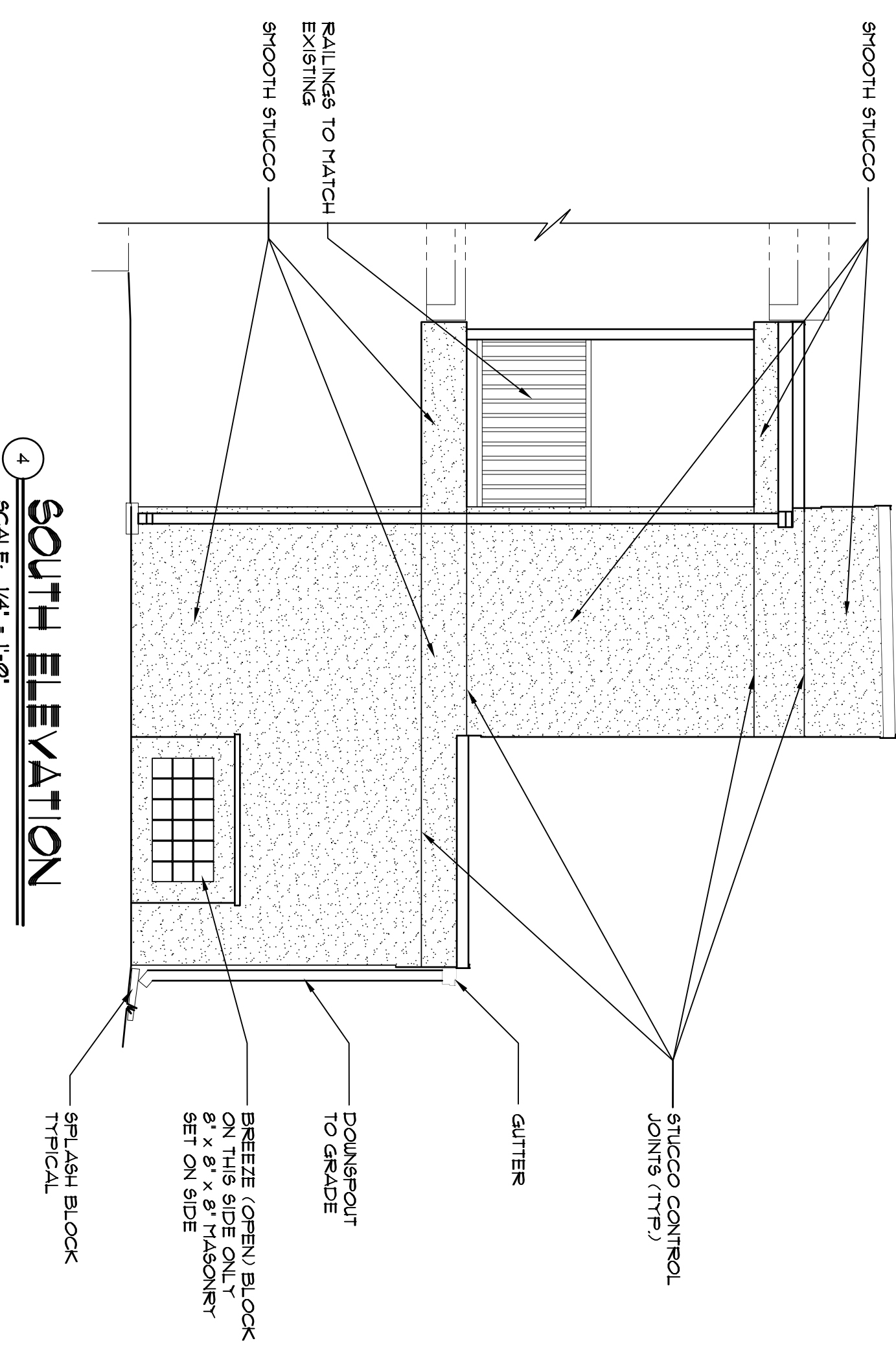


1 WEST ELEVATION  
SCALE: 1/4" = 1'-0"

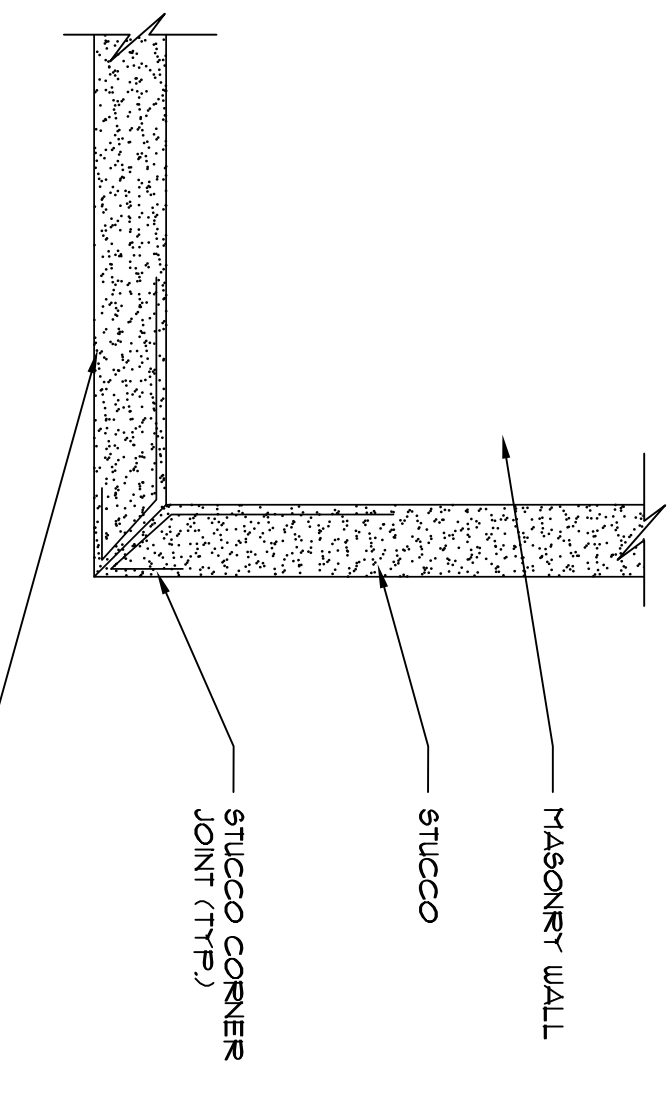
2 EAST ELEVATION  
SCALE: 1/4" = 1'-0"



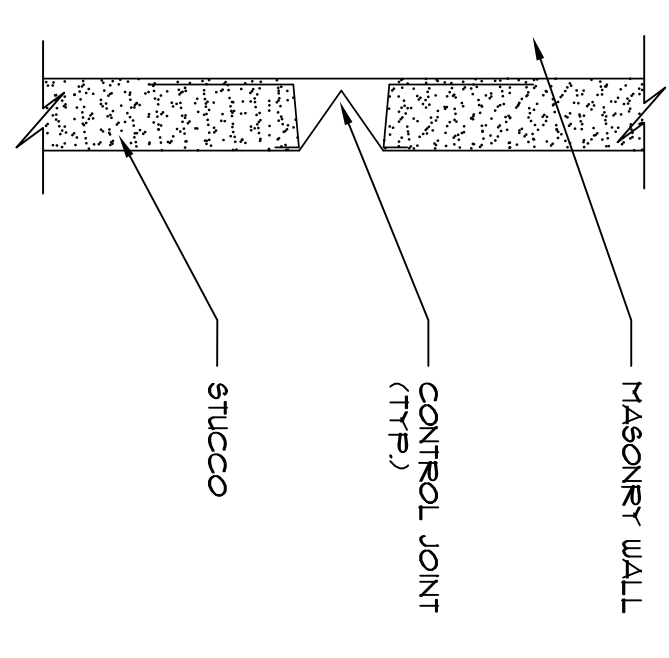
3 NORTH ELEVATION  
SCALE: 1/4" = 1'-0"



4 SOUTH ELEVATION  
SCALE: 1/4" = 1'-0"



5 A-A CORNER JOINT DETAIL  
SCALE: 6" = 1'-0"



6 A-A CORNER JOINT DETAIL  
SCALE: 6" = 1'-0"

**LEGEND**

- LINE TYPE COMMONLY INDICATES EXISTING FEATURE
- INDICATES AREAS TO RECEIVE NEW STUCCO

**PLAN NOTES**

1. ALL DETAILS AND SECTIONS SHOWN ON THE DRAWINGS ARE INTENDED TO BE TYPICAL AND SHALL BE CONSIDERED TO APPLY TO ANY SIMILAR SITUATION ELSEWHERE ON THE PROJECT EXCEPT WHERE A DIFFERENT DETAIL IS SHOWN.

**REVISIONS & UPDATES**

NO.	DATE	DESCRIPTION
1	05/28/20	ISSUED FOR PERMIT & CONSTRUCTION
	05/21/20	ISSUED FOR PRICING

NEW ELEVATOR  
**EDGEWOOD JUNIOR/SENIOR HIGH SCHOOL**  
 MERITT ISLAND  
 FLORIDA  
**EXTERIOR ELEVATIONS**

JOHN C. ZWICK, P.A.  
 F.L. REG. ARCH. 0095271  
 44-000588  
 Job No. 82170013  
**A2.0**

SCALE NOTED ON DRAWINGS REPRESENTS 24" x 36" SIZE SHEETS OF PAPER

2010 ARCHITECTS IN ASSOCIATION ROOD AND ZWICK, INC.